

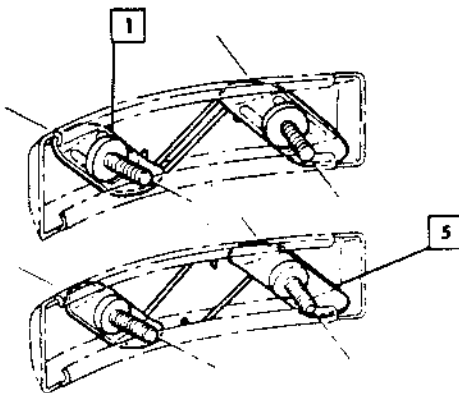
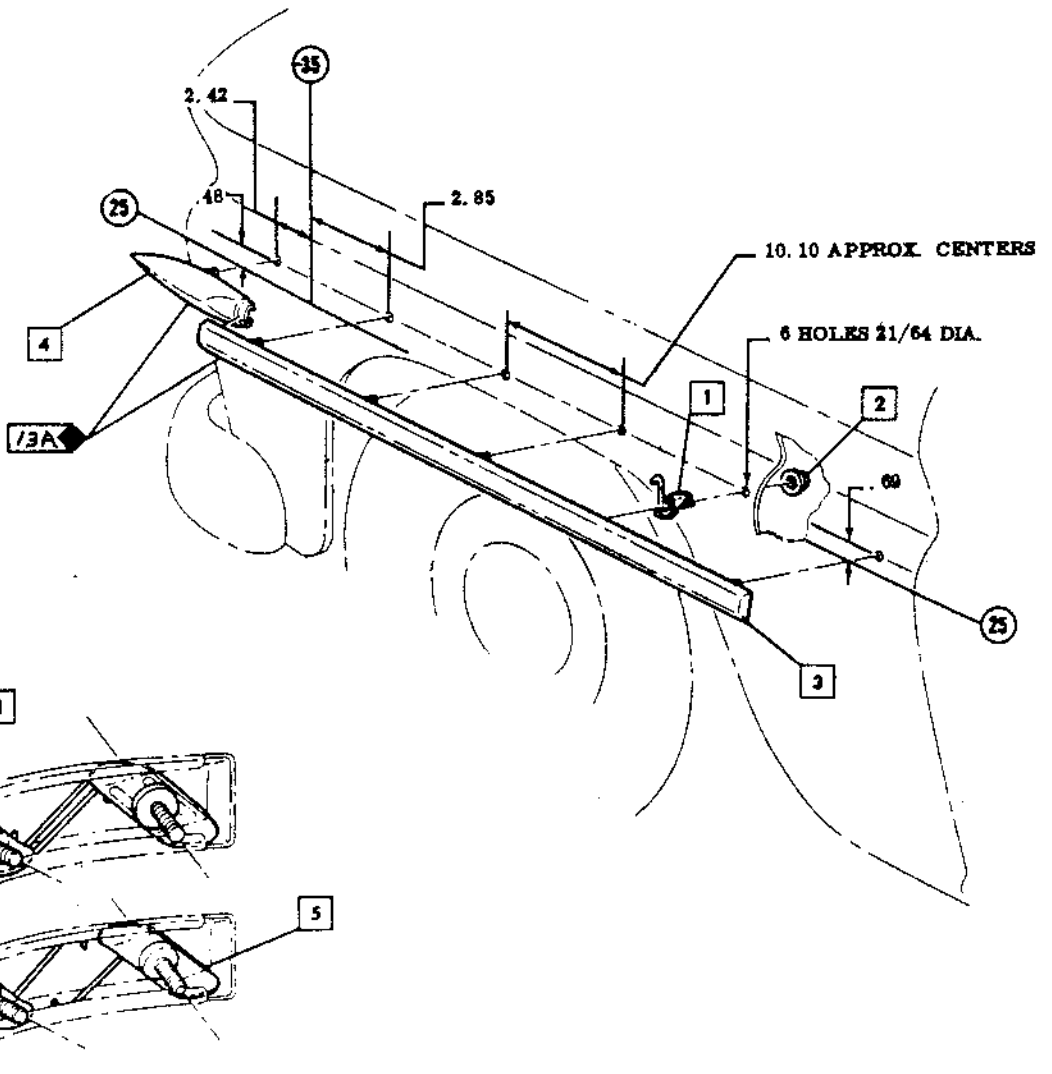


CHEVROLET

# ASSEMBLY INSTRUCTION

3824000 TRUCK SERIES (EXCEPT P20)

- 1** 3789858 CLIP ASM.
- ▲ 2** 273330 NUT
- 3** 3788601 MOLDING
- 4** 3788600 MOLDING
- 5** 4875877 CLIP ASM.



▲ 20-30 LBS IN

VIEW **A**