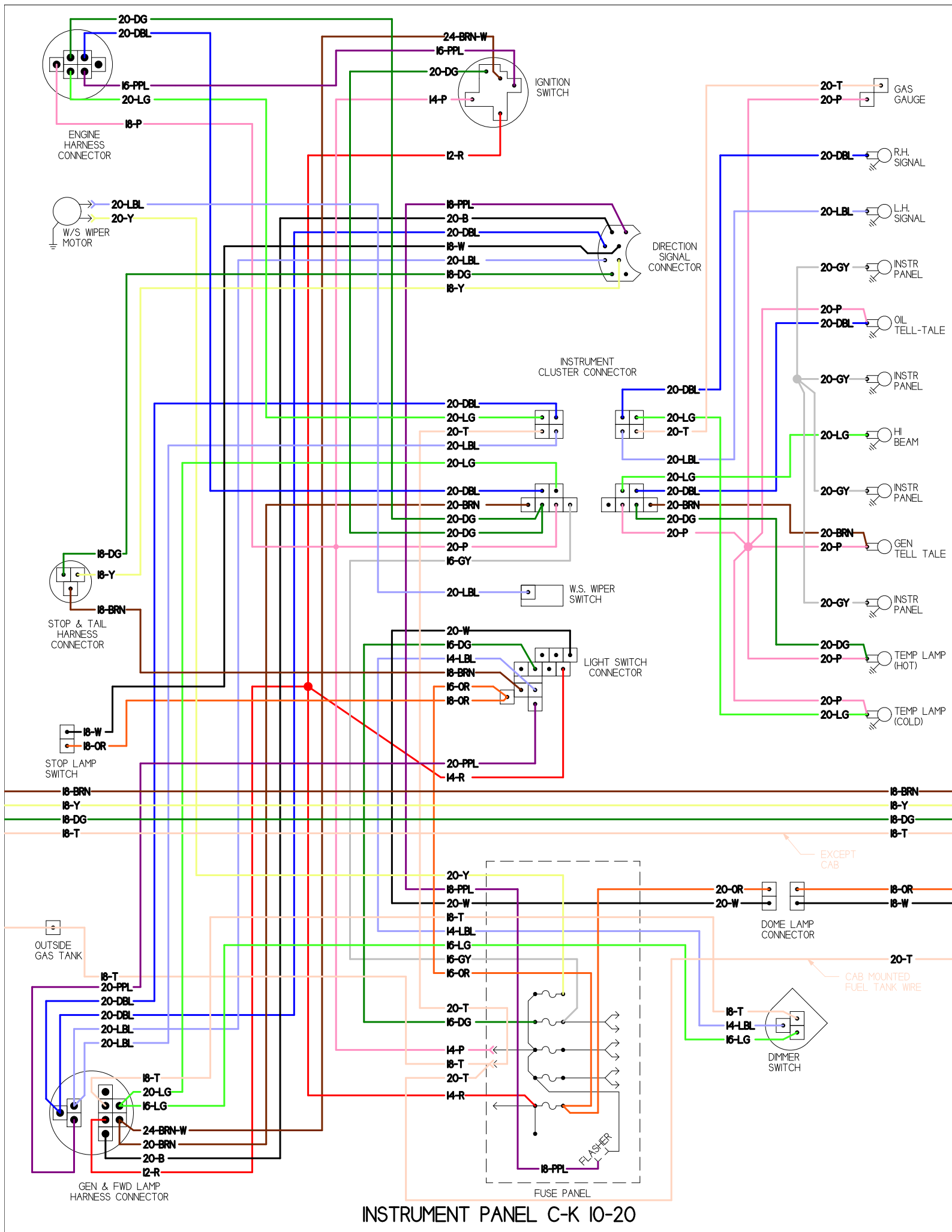
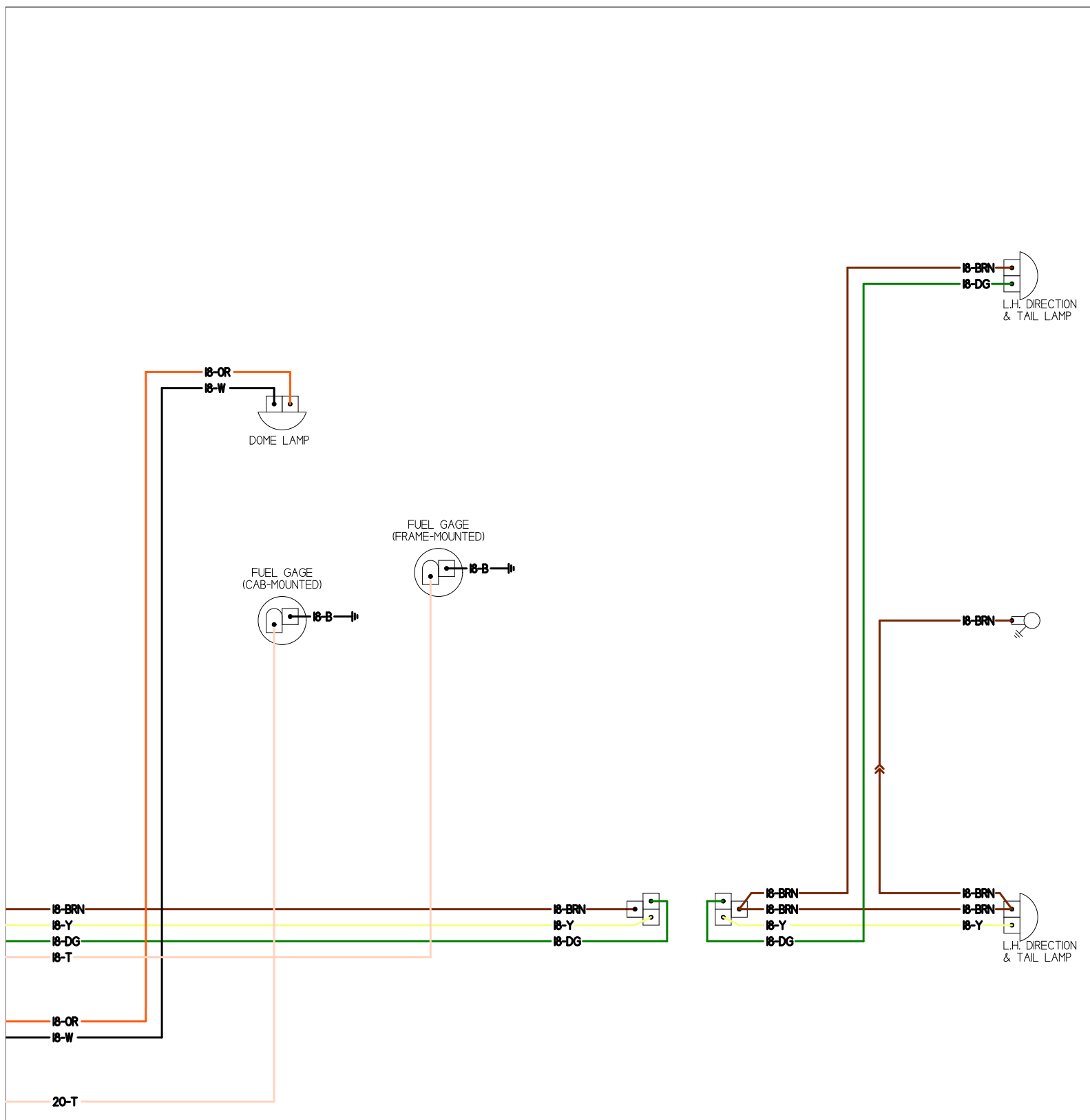


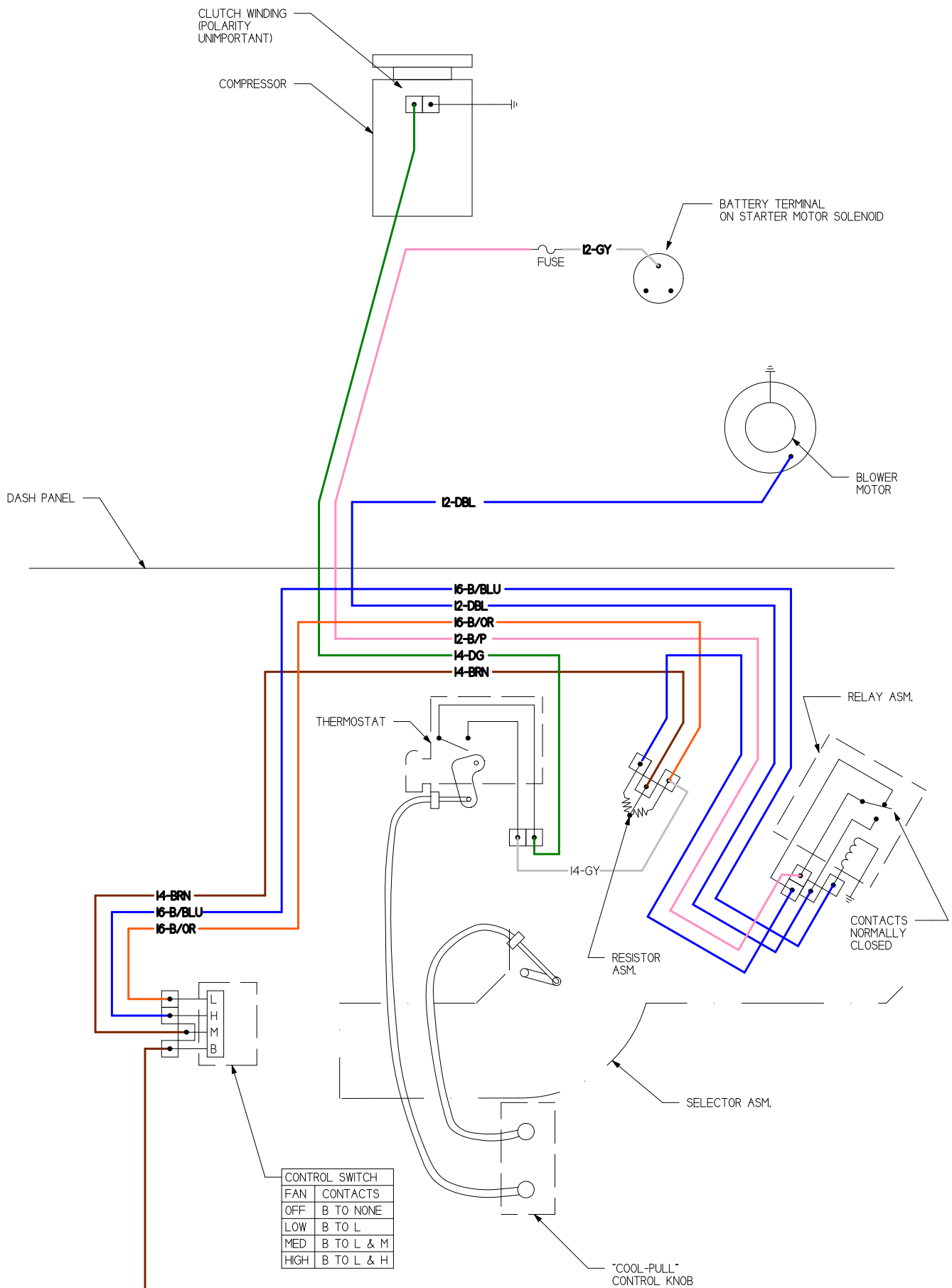
ENGINE COMPARTMENT C-K 10-20



INSTRUMENT PANEL C-K 10-20



CHASSIS & TAIL LAMP C-K 10-20



CONTROL SWITCH	
FAN	CONTACTS
OFF	B TO NONE
LOW	B TO L
MED	B TO L & M
HIGH	B TO L & H

14-B FROM FUSE PANEL

TRUCK AIR CONDITIONING