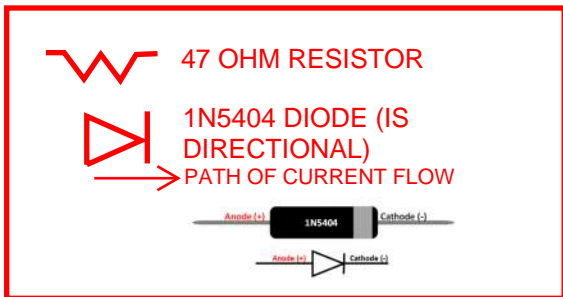
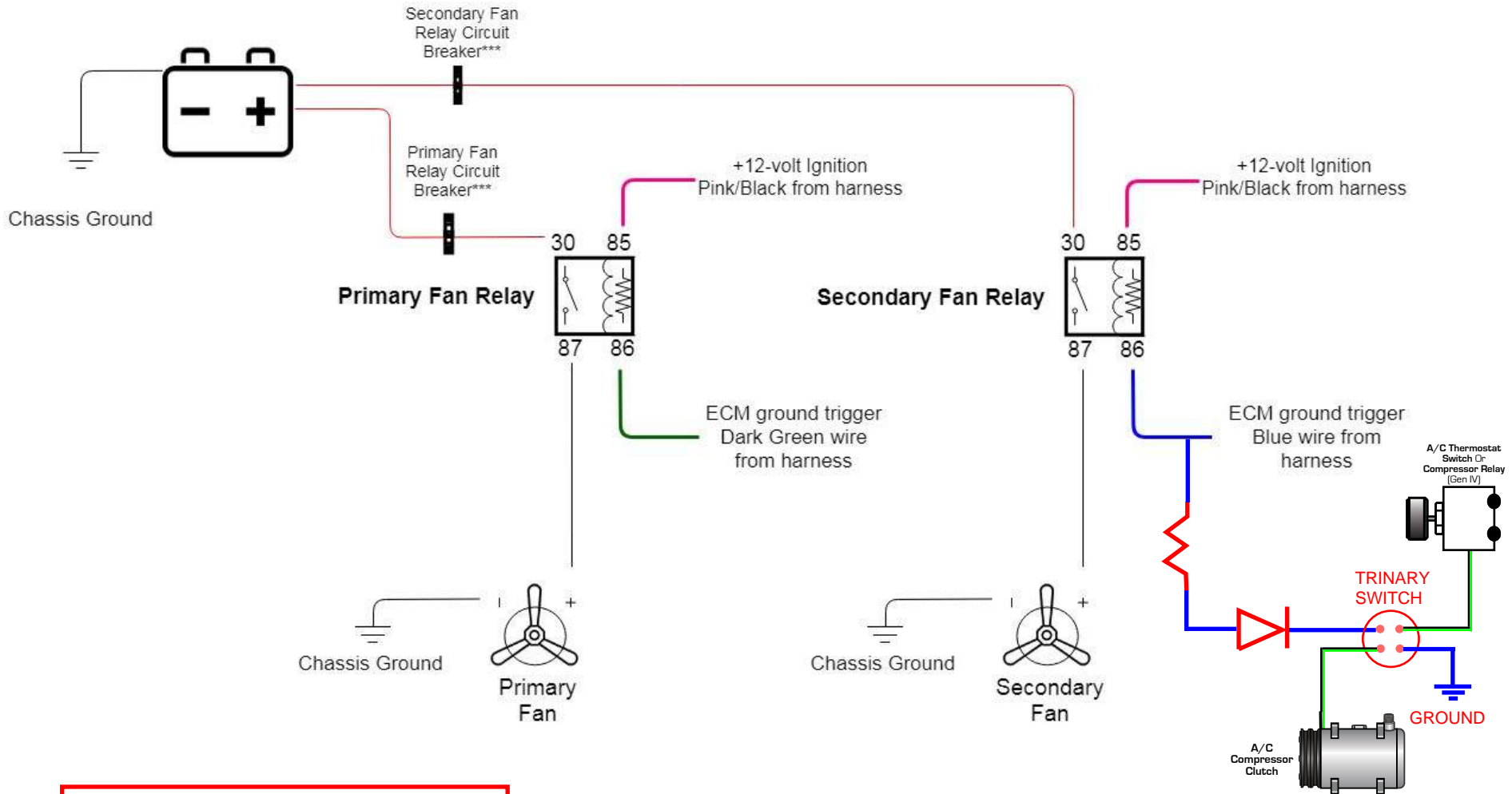


Legacy Fan Wiring Diagram for Speartech Gen III & IV LS Control Systems (1997-2019)



*** Install the recommended breaker or fuse size from your fan manufacturer.
 Wires on position 30 and 87 of your relay(s) are typically 14 or 12 gauge wiring